



FBS

Horizontal Firetube Steam Boiler

60 – 1000 BHP

- ▶ Lowest Cost of Ownership
- ▶ Best-in-Class Efficiency
- ▶ Rugged & Reliable Design



ALL MODELS:

2,070 - 16,387 lbs/h Output F&A 212°F
ASME Section I & IV Designs to 300 PSI



**Biofuel
READY**
Up to B100



**Hydrogen
READY**
Up to 20% Blend

PREMIER HORIZONTAL FIRETUBE

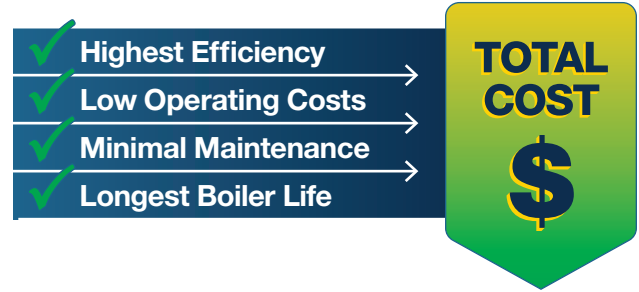
Fulton's FBS is a high quality horizontal firetube boiler. With more than 10,000 boilers sold in more than 40 countries, the FBS has proven itself time and again for customers around the world.

All FBS boilers are factory packaged with an integrated boiler, burner, and control package configured to provide the industry's lowest cost of ownership.

- ▶ **Capable of Meeting All Emission Standards**
- ▶ **Trim Options for Virtually Any User Requirement**
- ▶ **Customizable Controls**
- ▶ **Burner Packages for Multiple Fuel Types**

LOWEST TOTAL COST OF OWNERSHIP

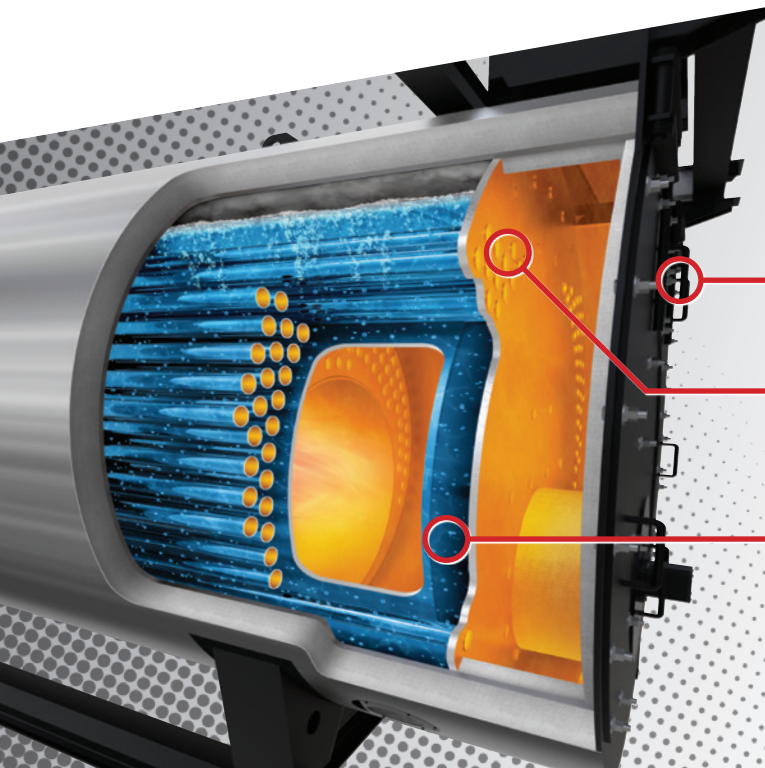
The true cost of a boiler is measured over decades of use and includes lifetime operating and maintenance expenses. Fulton's FBS is designed with standard features to ensure it lasts longer, reduces downtime, and increases your overall system efficiency.



REDUCE OPERATING COSTS & EMISSIONS



With 3-pass and 4-pass designs, the FBS provides complete and efficient combustion with a **best-in-class 82% efficiency**.



MINIMIZE YOUR MAINTENANCE

- Standard davited front and rear doors provide easy fire-side access for simplified service.
- Seal-welded boiler tubes at the front and rear of boiler eliminate the potential for leaks and reduces maintenance requirements.
- Fully water-backed rear turnaround eliminates maintenance and down time associated with refractory doors.

RUGGED DESIGN FOR LONGER LIFE

The FBS is built to last with pressure vessel thicknesses exceeding ASME minimums. Thick-wall tubes are 26% thicker than the industry standard (0.12" versus 0.095").

Each pressure vessel is backed by Fulton's industry leading 5-year warranty on material and workmanship.

A

3-Pass & 4-Pass Designs

The FBS design is fully water-backed to maximize heat transfer, providing the highest efficiencies possible.

B

Minimal Heat Losses

Thick, high-density insulation provides lower jacket temperatures and minimizes heat loss.

C

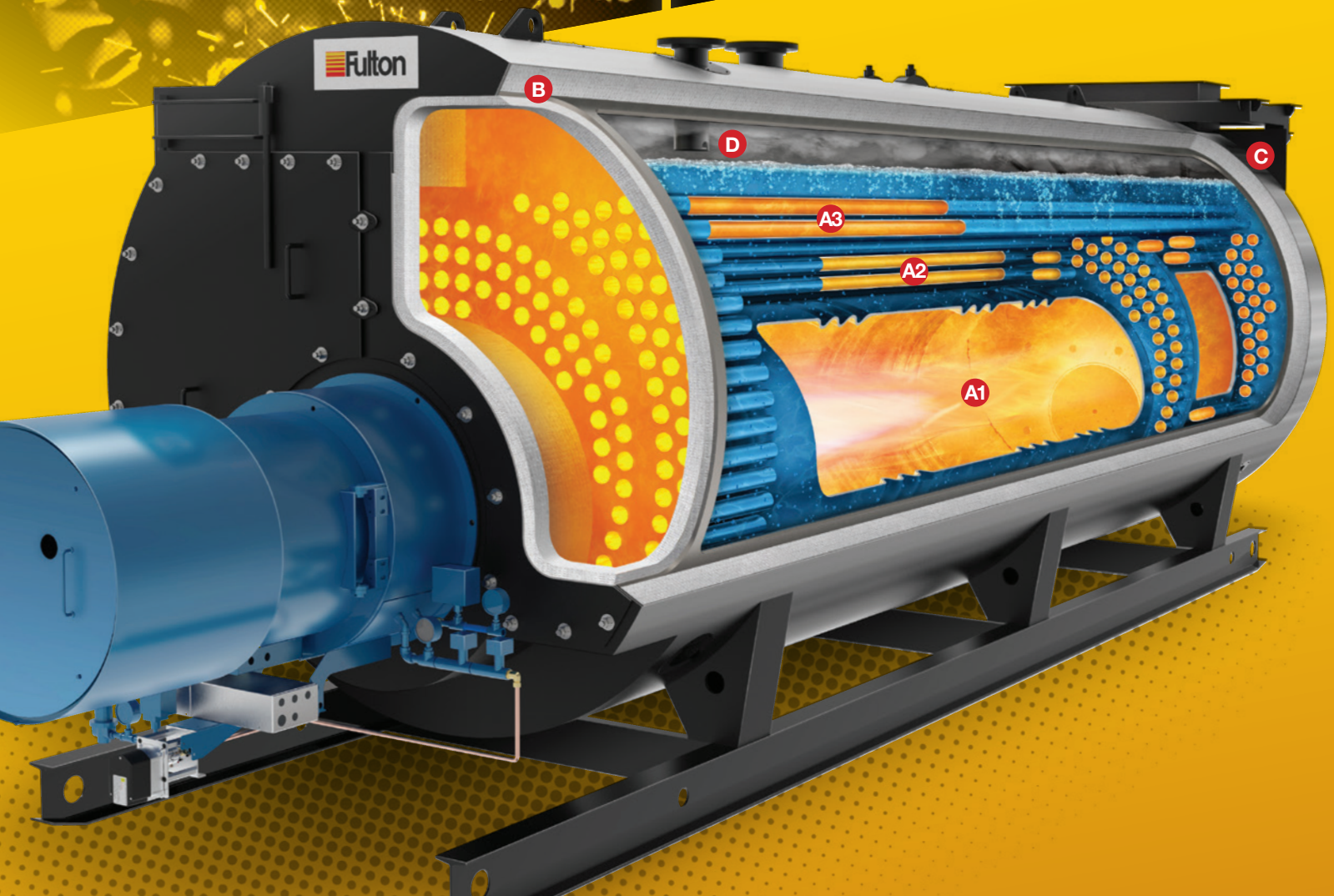
Integrated Economizer Support

All FBS boilers include a heavy-duty economizer bracket which supports up to 3,000 pounds.

D

High Quality Steam

The FBS features a large water content and generous steam volume which produce high quality dry steam.

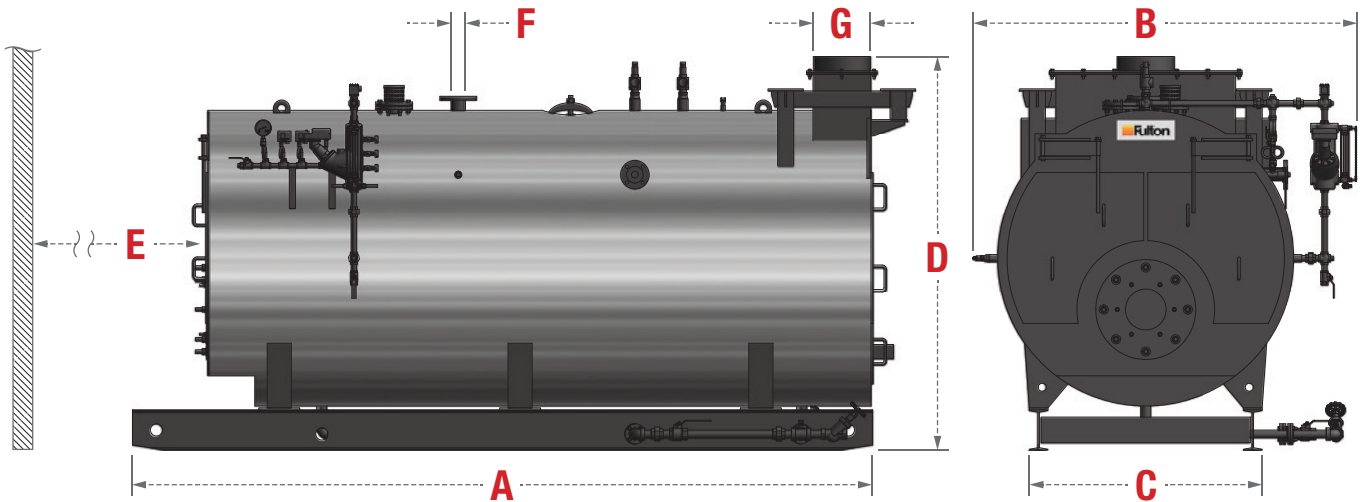


SPECIFICATIONS & DIMENSIONS

	MODEL	FBS-060	FBS-100	FBS-150	FBS-200	FBS-250	FBS-300	FBS-350	FBS-400	FBS-475	FBS-500	FBS-650	FBS-800	FBS-1000
SPECIFICATIONS														
Unit Size	BHP	60	100	150	200	250	300	350	400	475	500	650	800	1,000
Steam Output	LBS/HR	2,070	3,450	5,175	6,900	8,625	10,350	12,075	13,800	16,388	17,250	22,425	27,600	34,500
Input	kBTU	2,450	4,083	6,124	8,166	10,207	12,248	14,290	16,331	19,393	20,414	26,538	32,662	40,828
Shipping Weight*	LBS	11,000	11,400	14,500	20,300	25,600	28,880	29,700	37,100	37,500	33,226	49,048	56,428	125,928
Flooded Weight*	LBS	18,206	20,666	22,764	24,220	29,800	38,400	45,826	47,055	47,055	56,487	85,261	98,128	182,073
Water Content	GAL	864	999	1,084	1,169	1,408	1,805	2,034	2,163	2,163	2,789	4,342	5,000	6,732
DIMENSIONS														
(A) Base Length	IN	163.5	148.5	181.5	174.5	208.75	257.5	248.5	278.75	278.75	236.25	297.5	327	351.5
(B) Overall Width	IN	91.5	91.5	94.25	94.25	101.25	101.25	104.25	104.25	104.25	122.5	124.5	124.5	145.75
(C) Base Width	IN	57.5	57.5	57.5	57.5	61.75	61.75	67	63	63	74.75	75.8	75.8	91
(D) Height	IN	86.75	86.75	92.5	92.5	100.5	100.5	100.5	100.5	100.5	130	142	142	181.25
(E) Tube Pull Length	IN	120	137	151	163	176	212.5	212.5	236	236	193.5	237.25	266.8	291.25
(F) Steam Outlet**	IN	3	4	4	4	6	6	6	6	8	8	8	8	10
(G) Flue	IN	12	12	14	16	20	20	20	22	22	22	26	28	28

* Subject to final boiler trim and options

** 150 PSI trim



NOTE: Specifications and dimensions are approximate and for reference only. Fulton practices continuous product improvement and reserves the right to change specifications and/or dimensions without notice.



Call: (315) 298-5121

972 Centerville Road
Pulaski, NY 13142



fulton.com/fbs

FBS_BROCHURE_231214